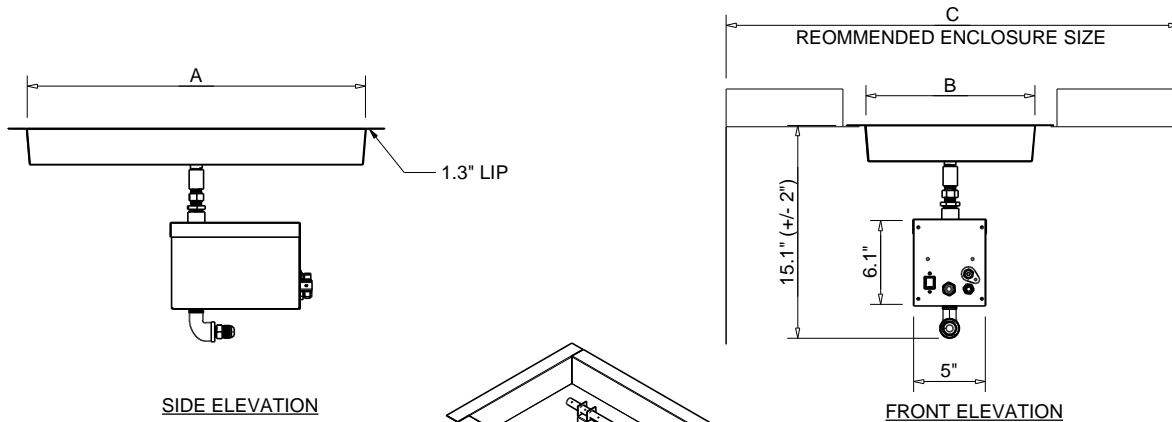




**Hearth Products Controls Co**  
**CSA CERTIFIED-OUTDOOR USE ONLY**

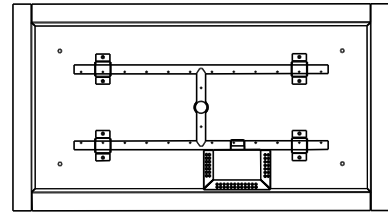
**HEARTH PRODUCTS CONTROLS**  
 3050 PLAINFIELD RD.  
 KETTERING, OH 45432  
 TOLL FREE: 1-877-433-7001  
 PHONE: (937) 433-7000  
 FAX: (937) 433-0704  
 www.hpcfire.com



**SIDE ELEVATION**

**FRONT ELEVATION**

**ISOMETRIC VIEW**



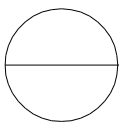
**PLAN VIEW**

AVAILABLE IN 120VAC OR 24VAC

PART NUMBERS	STND BTU	DIMENSION CHART		
		A"	B"	C"
24X12SSHWI-H	75K	24	12	56LX28W
30X12SSHWI-H	100K	30	12	56LX28W
36X14SSHWI-H	125K	36	14	64LX32W
42X14SSHWI-H	150K	42	14	64LX32W
54X16SSHWI-H	200K	54	16	76LX38W

**Notes:**

1. FOR USE WITH FIXED PIPING SYSTEMS ONLY.
2. NOT FOR USE WITH SMALL TANKS.
3. ALL ENCLOSURES REQUIRE 2 each 18 SQ/IN VENTS ON OPPOSING SIDES AND ADEQUATE DRAINAGE.
4. RESIDENTIAL GAS PRESSURE ONLY. (NG- 7.0" WC, LP- 11.0" WC)
5. MODIFICATION OF PRODUCT WILL VOID ANY CERTIFICATION AND WARRANTY.
6. FOLLOW ALL MANUFACTURER INSTALLATION INSTRUCTIONS AND LOCAL CODES.
7. ALL DIMENSIONS ARE CONSIDERED TRUE AND REFLECT MANUFACTURER'S SPECIFICATIONS AS OF THE REVISION DATE.
8. DO NOT SCALE DRAWING.
9. THESE DRAWINGS ARE FOR SIZING AND PLANNING PURPOSES. ALL INFORMATION CONTAINED HEREIN WAS CURRENT AT THE TIME OF DEVELOPMENT. THE MANUFACTURE IS RESPONSIBLE FOR THE ACCURACY OF THE DRAWING.
10. CONTRACTOR'S NOTE: FOR PRODUCT AND COMPANY INFORMATION VISIT [www.CADdetails.com/info](http://www.CADdetails.com/info) REFERENCE NUMBER 771-015.



**HOT WIRE FIRE PIT INSERT - 6/5/2015**  
**HWI RECTANGLE - H BURNER - FLAME SENSING WITH ELECTRONIC HOT WIRE IGNITION**