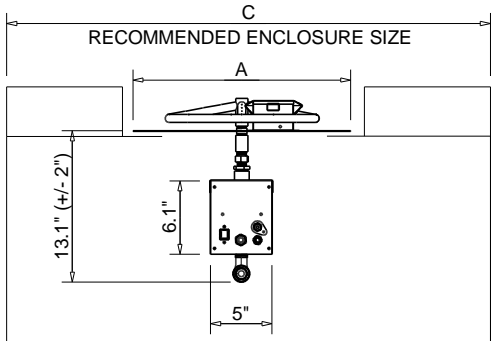


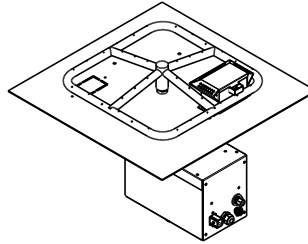


**Hearth Products Controls Co**  
**CSA CERTIFIED-OUTDOOR USE ONLY**

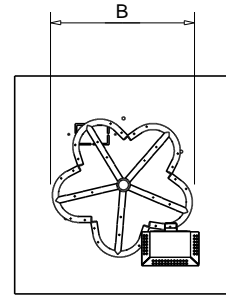
HEARTH PRODUCTS CONTROLS  
 3050 PLAINFIELD RD.  
 KETTERING, OH 45432  
 TOLL FREE: 1-877-433-7001  
 PHONE: (937) 433-7000  
 FAX: (937) 433-0704  
 www.hpcfire.com



FRONT ELEVATION



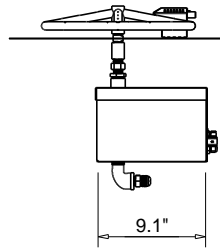
ISOMETRIC VIEW



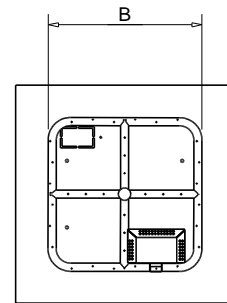
PENTA BURNER OPTION

AVAILABLE IN 120VAC OR 24VAC

PART NUMBERS	STND BTU	DIMENSION CHART		
		A"	B"	C"
18FSSHWI-SQ	90K	18	12	54
24FSSHWI-SQ	150K	24	18	54
30FSSHWI-SQ	200K	30	24	54
36FSSHWI-SQ	250K	36	30	72
42FSSHWI-SQ	400K	42	36	80



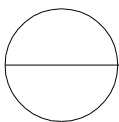
SIDE ELEVATION



SQUARE BURNER OPTION

**Notes:**

1. FOR USE WITH FIXED PIPING SYSTEMS ONLY.
2. NOT FOR USE WITH SMALL TANKS.
3. ALL ENCLOSURES REQUIRE 2 each 18 SQ/IN VENTS ON OPPOSING SIDES AND ADEQUATE DRAINAGE.
4. RESIDENTIAL GAS PRESSURE ONLY. (NG- 7.0" WC, LP- 11.0" WC)
5. MODIFICATION OF PRODUCT WILL VOID ANY CERTIFICATION AND WARRANTY.
6. FOLLOW ALL MANUFACTURER INSTALLATION INSTRUCTIONS AND LOCAL CODES.
7. ALL DIMENSIONS ARE CONSIDERED TRUE AND REFLECT MANUFACTURER'S SPECIFICATIONS AS OF THE REVISION DATE.
8. DO NOT SCALE DRAWING.
9. THESE DRAWINGS ARE FOR SIZING AND PLANNING PURPOSES. ALL INFORMATION CONTAINED HEREIN WAS CURRENT AT THE TIME OF DEVELOPMENT. THE MANUFACTURE IS RESPONSIBLE FOR THE ACCURACY OF THE DRAWING.
10. CONTRACTOR'S NOTE: FOR PRODUCT AND COMANY INFORMATION VISIT [www.CADdetails.com/info](http://www.CADdetails.com/info) REFERENCE NUMBER 771-016.



HOT WIRE FIRE PIT INSERT  
 HWI SQUARE - FLAME SENSING WITH ELECTRONIC HOT WIRE IGNITION