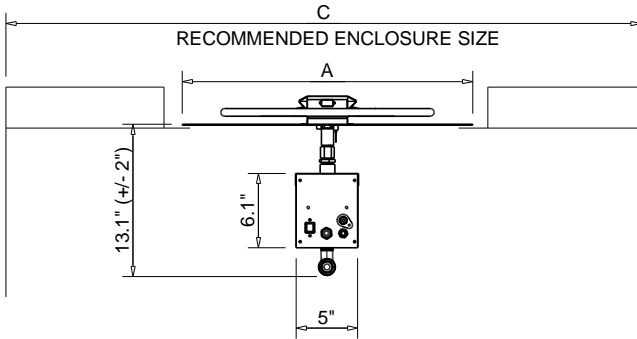


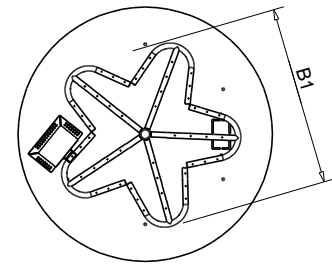


**Hearth Products Controls Co**  
**CSA CERTIFIED-OUTDOOR USE ONLY**

HEARTH PRODUCTS CONTROLS  
 3050 PLAINFIELD RD.  
 KETTERING, OH 45432  
 TOLL FREE: 1-877-433-7001  
 PHONE: (937) 433-7000  
 FAX: (937) 433-0704  
 www.hpcf.com



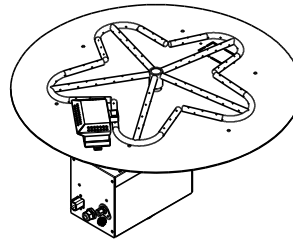
FRONT ELEVATION



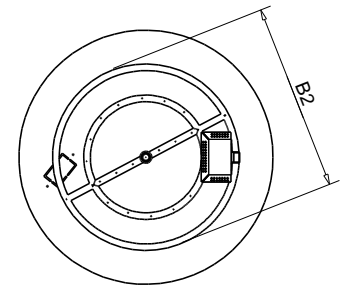
PENTA BURNER OPTION

AVAILABLE IN 120VAC OR 24VAC

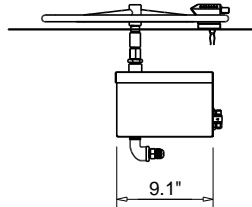
PART NUMBERS	STND BTU	DIMENSION CHART		
		A"	B1"	C"
PENTA BURNER				
PENTA18HWI	65K	18	12	54
PENTA24HWI	125K	24	18	72
PENTA30HWI	200K	30	24	72
PENTA36HWI	250K	36	30	80
PENTA42HWI	400K	42	36	90
ROUND BURNER		A"	B2"	C"
14FSSHUI	90K	14	12	54
18FSSHUI	90K	18	12	54
24FSSHUI	150K	24	18	54
30FSSHUI	250K	30	24	54
36FSSHUI-HC	250K	36	30	72
42FSSHUI-HC	400K	42	36	80
54FSSHUI-HC	400K	54	48	102



ISOMETRIC VIEW



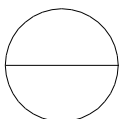
ROUND BURNER OPTION



SIDE ELEVATION

**Notes:**

1. FOR USE WITH FIXED PIPING SYSTEMS ONLY.
2. NOT FOR USE WITH SMALL TANKS.
3. ALL ENCLOSURES REQUIRE 2 each 18 SQ/IN VENTS ON OPPOSING SIDES AND ADEQUATE DRAINAGE.
4. RESIDENTIAL GAS PRESSURE ONLY. (NG- 7.0" WC, LP- 11.0" WC)
5. MODIFICATION OF PRODUCT WILL VOID ANY CERTIFICATION AND WARRANTY.
6. FOLLOW ALL MANUFACTURER INSTALLATION INSTRUCTIONS AND LOCAL CODES.
7. ALL DIMENSIONS ARE CONSIDERED TRUE AND REFLECT MANUFACTURER'S SPECIFICATIONS AS OF THE REVISION DATE.
8. DO NOT SCALE DRAWING.
9. THESE DRAWINGS ARE FOR SIZING AND PLANNING PURPOSES. ALL INFORMATION CONTAINED HEREIN WAS CURRENT AT THE TIME OF DEVELOPMENT. THE MANUFACTURE IS RESPONSIBLE FOR THE ACCURACY OF THE DRAWING.
10. CONTRACTOR'S NOTE: FOR PRODUCT AND COMANY INFORMATION VISIT [www.CADdetails.com/info](http://www.CADdetails.com/info) REFERENCE NUMBER 771-013.



**HWI FIRE PIT INSERT**  
**HWI FLAT ROUND PAN - FLAME SENSING WITH ELECTRONIC HOT WIRE IGNITION**