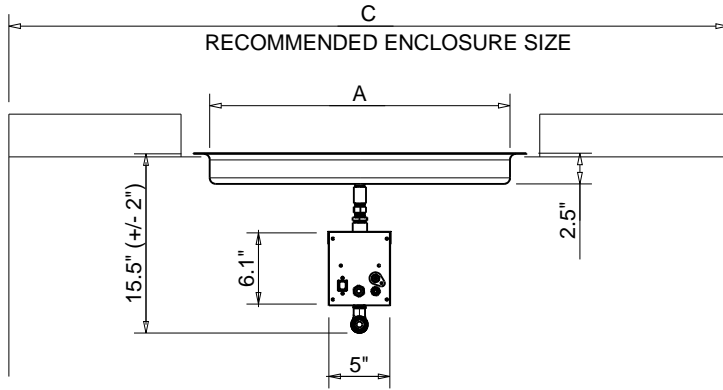


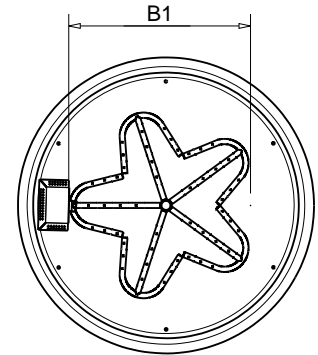


Hearth Products Controls Co
CSA CERTIFIED-OUTDOOR USE ONLY
FOR COMMERCIAL AND RESIDENTIAL USE

HEARTH PRODUCTS CONTROLS
 3050 PLAINFIELD RD.
 KETTERING, OH 45432
 TOLL FREE: 1-877-433-7001
 PHONE: (937) 433-7000
 FAX: (937) 433-0704
 www.hpcfired.com



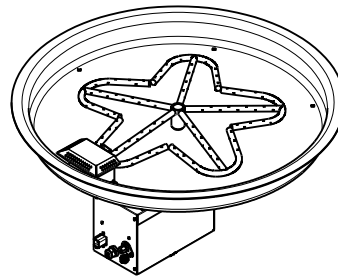
FRONT ELEVATION



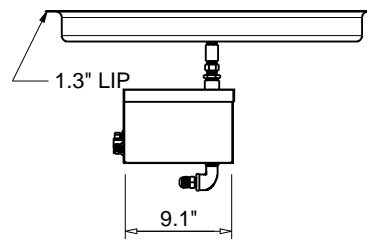
PENTA BURNER OPTION

AVAILABLE IN 120VAC OR 24VAC
 MATERIAL: 304 STAINLESS STEEL

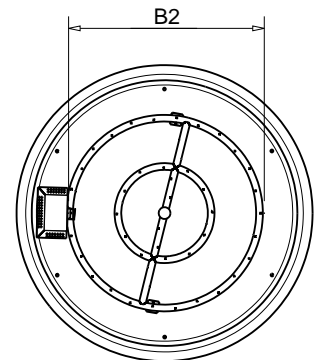
PART NUMBERS	STND BTU	DIMENSION CHART		
		A"	B1"	C"
PENTA BURNER				
PENTA19HWI	65K	19	12	54
PENTA25HWI	125K	25	18	72
PENTA31HWI	200K	31	24	72
PENTA37HWI	250K	37	30	80
PENTA43HWI	400K	43	36	90
ROUND BURNER		A"	B2"	C"
13SSHWI	90K	13	12	54
19SSHWI	90K	19	12	54
25SSHWI	150K	25	18	54
31SSHWI	250K	31	24	54
37SSHWI-HC	250K	37	30	72
43SSHWI-HC	400K	43	36	80



ISOMETRIC VIEW



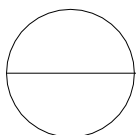
SIDE ELEVATION



ROUND BURNER OPTION

Notes:

1. FOR USE WITH FIXED PIPING SYSTEMS ONLY.
2. NOT FOR USE WITH SMALL TANKS.
3. ALL ENCLOSURES REQUIRE 2 each 18 SQ/IN VENTS ON OPPOSING SIDES AND ADEQUATE DRAINAGE.
4. RESIDENTIAL GAS PRESSURE ONLY. (NG- 7.0" WC, LP- 11.0" WC)
5. MODIFICATION OF PRODUCT WILL VOID ANY CERTIFICATION AND WARRANTY.
6. FOLLOW ALL MANUFACTURER INSTALLATION INSTRUCTIONS AND LOCAL CODES.
7. ALL DIMENSIONS ARE CONSIDERED TRUE AND REFLECT MANUFACTURER'S SPECIFICATIONS AS OF THE REVISION DATE.
8. DO NOT SCALE DRAWING.
9. THESE DRAWINGS ARE FOR SIZING AND PLANNING PURPOSES. ALL INFORMATION CONTAINED HEREIN WAS CURRENT AT THE TIME OF DEVELOPMENT. THE MANUFACTURE IS RESPONSIBLE FOR THE ACCURACY OF THE DRAWING.
10. CONTRACTOR'S NOTE: FOR PRODUCT AND COMPANY INFORMATION VISIT www.CADdetails.com/info REFERENCE NUMBER 771-012.



HOT WIRE FIRE PIT INSERT
HWI BOWL ROUND PAN - FLAME SENSING WITH ELECTRONIC HOT WIRE IGNITION