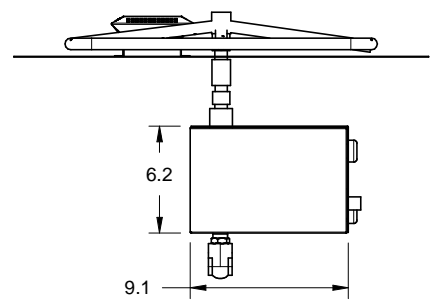
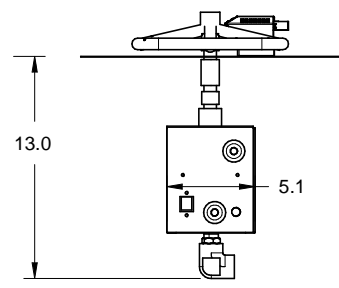
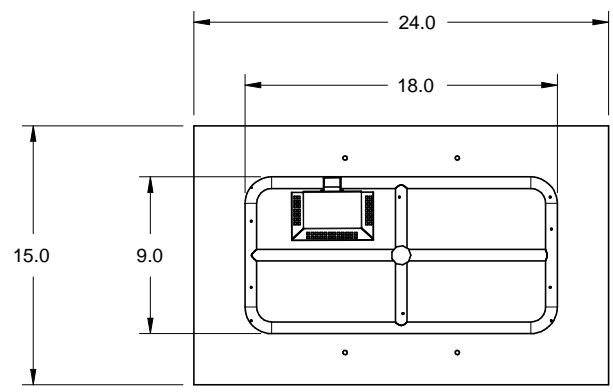



Click On Image To View In 3D

REVISIONS				
ZONE	REV	DESCRIPTION	DATE	APPROVED



Materials: Pan, Burner, and Valve Box Are All 304 Stainless Steel Construction Overall Height = +- 2.0 Depending on Configuration	DRAWN Mike Adkins	DATE 11/8/2010	<h2>24x15FSSHWI</h2>			
	CHECKED		 Hearth Products Controls Co			
	QA		SIZE A	FSCM NO.	DWG NO. 24x15FSSHWI	REV
	MFG		SCALE		SHEET	
	APPROVED					